





### **THE PERFORMANCE. MADE IN GERMANY.**

---

The Maybach – an automobile icon. State-of-the-art technology, premium-quality materials and supreme comfort are expressions of the „Excellence refined“ philosophy and justify the position of leader in the automobile premium segment.

MY COUPE is based upon the Maybach 57 S and represents the best of two worlds: extrovertedly sporty design with ultimate comfort – an unsurpassable mix for the passionate owner-driver requiring impressive performance and personalized luxury.

Supreme craftsmanship. Characterful design language. The transformation from legendary limousine into sporty coupe. MY COUPE's luxurious interior offers ample space for driver and passengers, features the most up-to-date technology and the highest levels of comfort for all aboard.

The design: unique  
The dynamics: unforgettable.  
Your driving experience: unlimitedly different.

---

### **THE DESIGN. TAILOR MADE.**

---

Each MY COUPE is truly unique: individual-customer wishes made real. For the new Coupe has revived a long forgotten tradition. Worldwide distribution will be handcrafted in Germany in keeping with the same high standards as made by Maybach, Bugatti and Duesenberg into automobile legends in the 1920s and 1930s.

At the time, most demanding customer wishes for individual automobiles were fulfilled by highly skilled German coachbuilders. Fredrik Burchardt, the creator of the dramatic Maybach Exelero, designed the MY COUPE to surpass the highest expectations. Talented craftsmen built individual masterpieces which reflected the client's wishes in every small detail and made automotive history. Such automobiles were as fascinating in their day as they are today. Subsequent technological developments eventually led to the industrialisation of the automobile industry and the demise of such production methods.

The principle: 100 years old.  
The execution: state-of-the-art.

---







**THE DYNAMIC ELEGANCE-  
EXPERTLY ENGINEERED.**

---

Striking proportions. A gently sloping roofline. Frameless doors. The new design language lends added charisma to an imposing automobile and underlines the MY COUPE dynamic qualities. An invitation to take the front seat and enjoy being at the helm of a high-tech flagship of unparalleled quality.

---





## **FAMILIAR TECHNOLOGY, PROVEN PERFECTION.**

---

MY COUPE MANUFACTURE created the MY COUPE with the support of Maybach and Daimler AG. All technical components (e.g. engine, transmission, chassis) are standard Maybach 57 S components reflecting the very highest standards in automobile craftsmanship.

MY COUPE is supported by an unlimited-mileage 4-year guarantee as well as a 4-year maintenance package. Each vehicle is identified by a Maybach chassis number plus an additional MY COUPE identification number. MY COUPE can therefore be serviced worldwide through the Maybach service network.

## **FEATURES AND EQUIPMENT, ENDLESSLY INDIVIDUAL.**

---

Self-assured. Characterful. Exuding typical Maybach-DNA. And as unique as your own fingerprint. Whatever the client requires - a wish comes true. Individual consultation and a wealth of individuality for the fulfilment of the most personal requirements. Paints, leather upholsteries, optional equipment, bespoke solutions - the result: as individual as you.

## **TECHNICAL SOLUTIONS.**

---

MY COUPE's vast expertise in the field of special-purpose vehicles is at your complete disposal, spanning all areas of the master coachbuilder's art - even extending to armouring the MY COUPE to B6 / B7 levels for ultimate protection.





**THE DYNAMIC ELEGANCE-  
EXPERTLY ENGINEERED.**

---

Striking proportions. A gently sloping roofline. Frameless doors. The new design language lends added charisma to an imposing automobile and underlines the MY COUPE dynamic qualities. An invitation to take the front seat and enjoy being at the helm of a high-tech flagship of unparalleled quality.

---

**THE STERN OF THE FLAGSHIP.  
A CLEAR STATEMENT.**

---

The Coupe's proportions express spirited elegance and athletic agility. The integrated exhaust system is available in different configurations and the possibilities for tailoring the bodywork to individual tastes are almost limitless, with a broad range of one-tone and two-tone paint finishes in different paint styles.

**THE WHEELS.  
A CLEAR SIGNAL.**

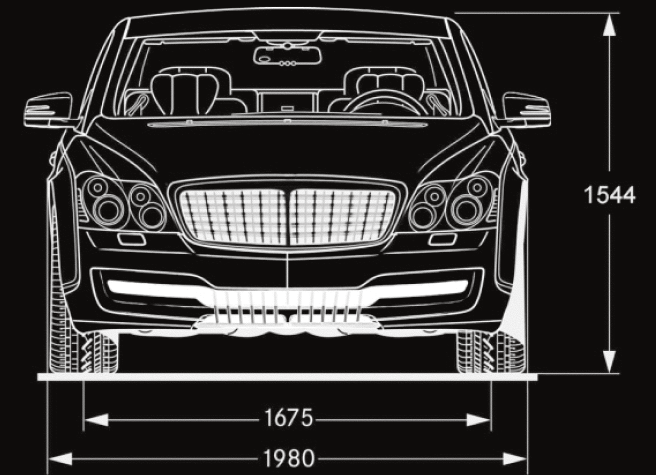
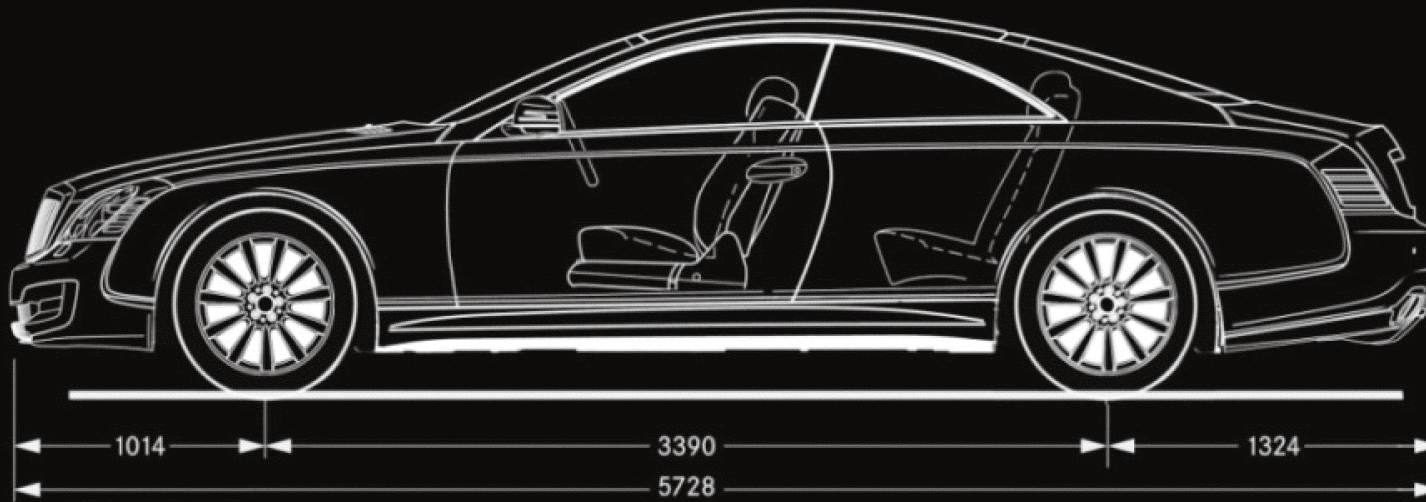
---

The optional 21 inch turbine-style wheels fill the muscular wheelwells and send a clear message: their unidirectional turbine-blade configuration expresses the might of the iconic Maybach V12 powerplant.

---



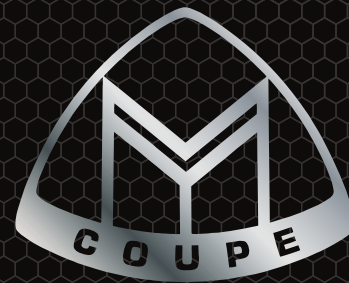




	<b>57 S 612 HP</b>	<b>57 S 630 HP</b>
No. of cylinders / arrangement	12 / V	12 / V
Bore / stroke	82.6 x 93.0 mm	82.6 x 93.0 mm
Cubic capacity	5.980 cc	5.980 cc
Compression ratio	9.0:1	9.0:1
Rated output / rpm	450 kW (612 HP) @ 4800 - 5100	463 kW (630HP) @ 4800 - 5100
Rated torque / rpm	1000 Nm @ 2000 - 4000	1000 Nm @ 2000 - 4000
Top Speed <sup>1</sup>	172 mph / 275 km/h	172 mph / 275 km/h
Fuel consumption - combined	16.4 l/100 km	15.8 l/100 km
CO <sub>2</sub> emission, combined	405 g/km	368 g/km
Fuel tank capacity / incl. reserve	21.4 / 3.7 gal (110/14 l)	21.4 / 3.7 gal (110/14 l)
Trunk capacity	21.4 cubic feet (605 l)	21.4 cubic feet (605 l)
Tires / Light-alloy wheels	275 / 45 R 20, 8.5J x 20 ET 67	275 / 45 R 20, 8.5J x 20 ET 67

<sup>1</sup> electronically self-limited. Max. power output and torque: according to 80/1269/EWG standard, issue 1999/99/EG. Unladen/permissible weight: according to 92/21/EG standard, issue 95/48/EG (ready to drive, 90 % fuel content, driver 68 kg plus 7 kg luggage) for vehicles in standard configuration. Optional equipment reduces load capacity accordingly.

Please note: changes may have been made to the product since this brochure went to press (01.07.2014). The manufacturer reserves the right to make changes to the design, form, colour or specification during the delivery period, provided these changes, while taking into account the interests of the vendor, can be deemed reasonable with respect to the purchaser. Where the vendor or the manufacturer uses symbols or numbers to describe an order or the subject of an order, no rights may be derived solely from these. Colours may differ slightly from those shown in the brochure, owing to the limitations of the printing process.



**MY COUPE HOLDING GROUP**  
**LONDON – MONACO – NEW YORK – VIENNA**

[www.maybach-coupe.net](http://www.maybach-coupe.net)  
e-mail: [office@maybach-coupe.net](mailto:office@maybach-coupe.net)

[www.dcdreamcars.com](http://www.dcdreamcars.com)  
e-mail: [office@dcdreamcars.com](mailto:office@dcdreamcars.com)

© 2014 MY COUPE HOLDING GROUP